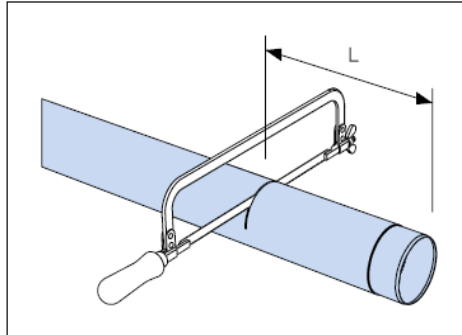
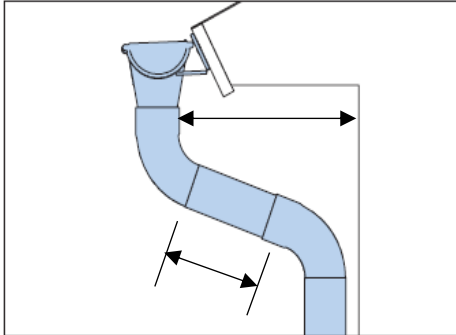


Bridge length with 70° elbows



L includes the overlap (4") on the elbows

Distance from wall	Bridge length
8 5/8"	0"
10 5/8"	4"
11 7/8"	5 3/8"
13 3/4"	7 3/8"
15 3/4"	9 1/2"
17 3/4"	11 1/2"
19 5/8"	13 5/8"
21 5/8"	15 3/4"
23 5/8"	18"
25 5/8"	19 7/8"
27 5/8"	22 1/8"
29 1/2"	24"
31 1/2"	26 1/4"
33 1/2"	28 3/8"
35 1/2"	30 3/8"
37 3/8"	32 1/2"
39 3/8"	34 3/4"